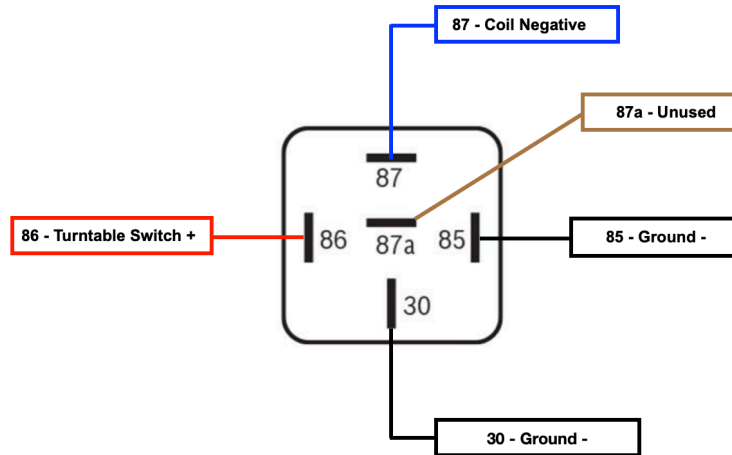


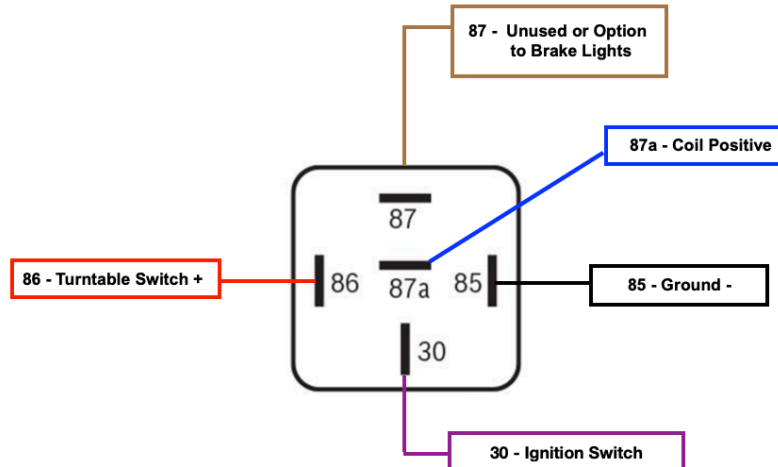


Turntable Ignition Interlock - Onan and other 4 Cycle Engines

Option 1 - Coil Terminal Negative



Option 2 - Coil Terminal Positive



NOTE: Make sure to use a 5 Pin Relay with separate 87 & 87a pins.
If 87 & 87a are connected, the relay will not function properly in this application
If you purchase a relay with wiring harness, your color coding may be different than in the above diagrams.

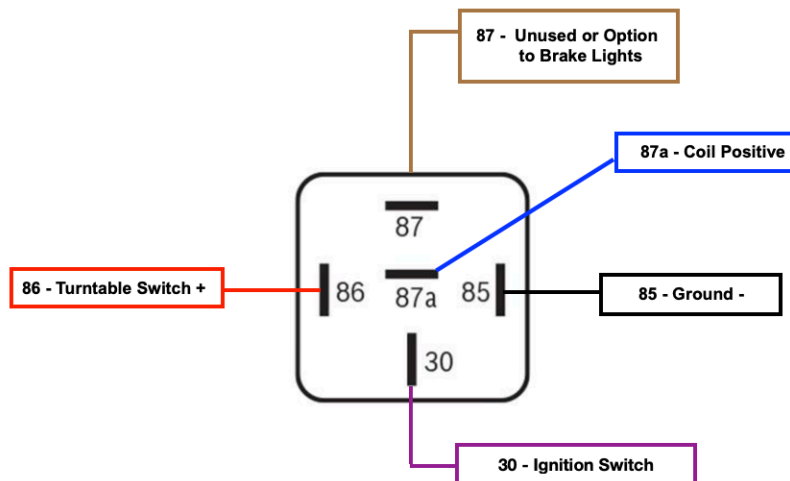
Napa Relay - Napa Part # AR204

Napa Wiring Harness (optional) - Napa Part # EC23



Turntable Ignition Interlock - 2 Cycle Fairmont

2 Cycle Fairmont Motorcars with 12 Volt Negative Ground



NOTE: Make sure to use a 5 Pin Relay with separate 87 & 87a pins.

If 87 & 87a are connected, the relay will not function properly in this application

If you purchase a relay with wiring harness, your color coding may be different than in the above diagrams.

Napa Relay - Napa Part # AR204

Napa Wiring Harness (optional) - Napa Part # EC23